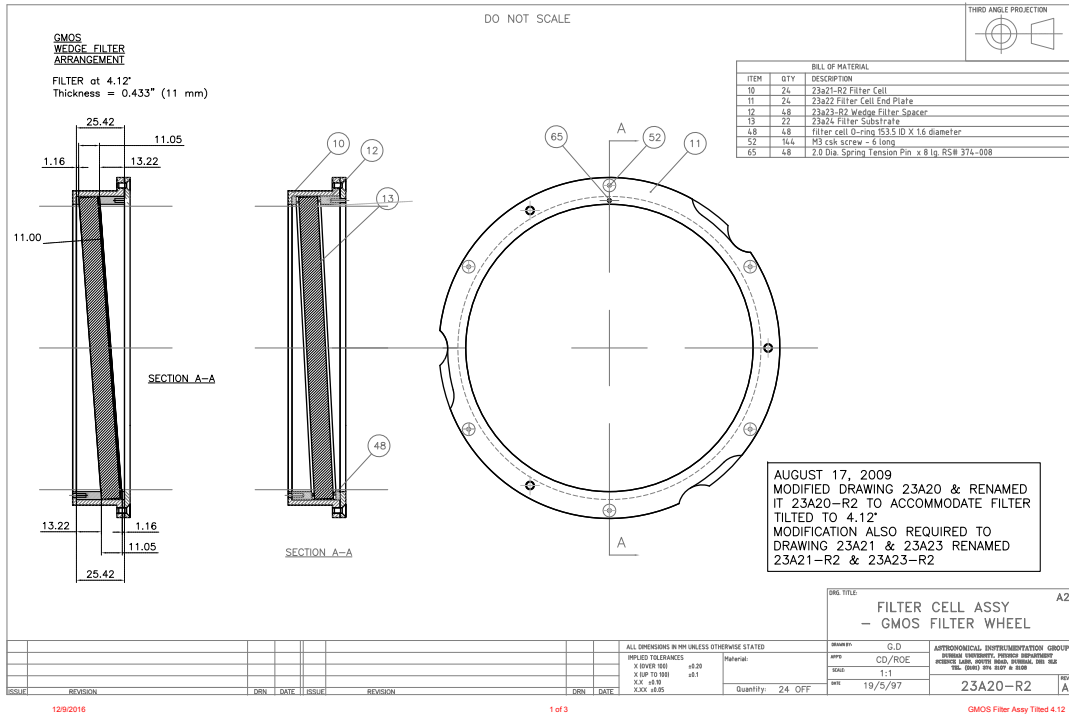


Drawing 23A20 above is of the original 3 degree tilted filter holder.



Drawing 2320-R2 is the new 4.12 degree tilted holder. Note that item 48, the cell O-ring, may not be incorporated due to lack of available space.

