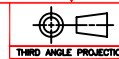
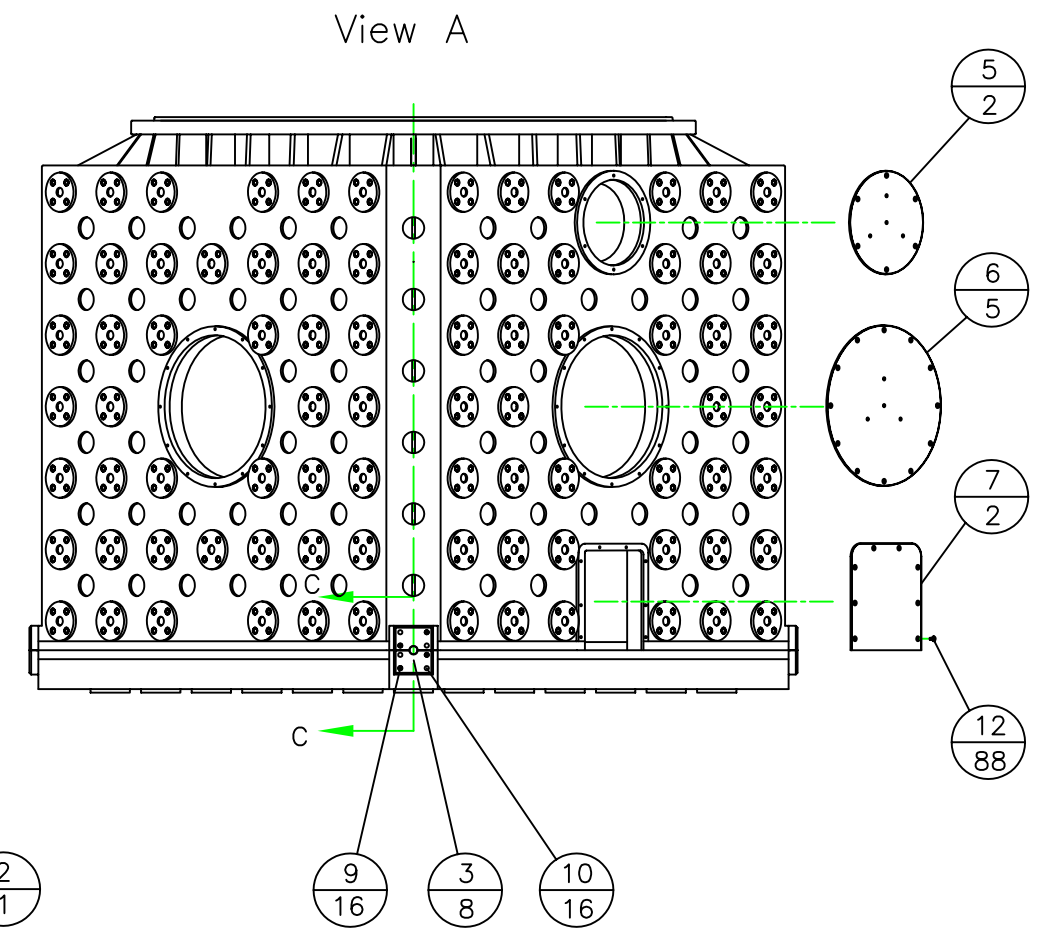
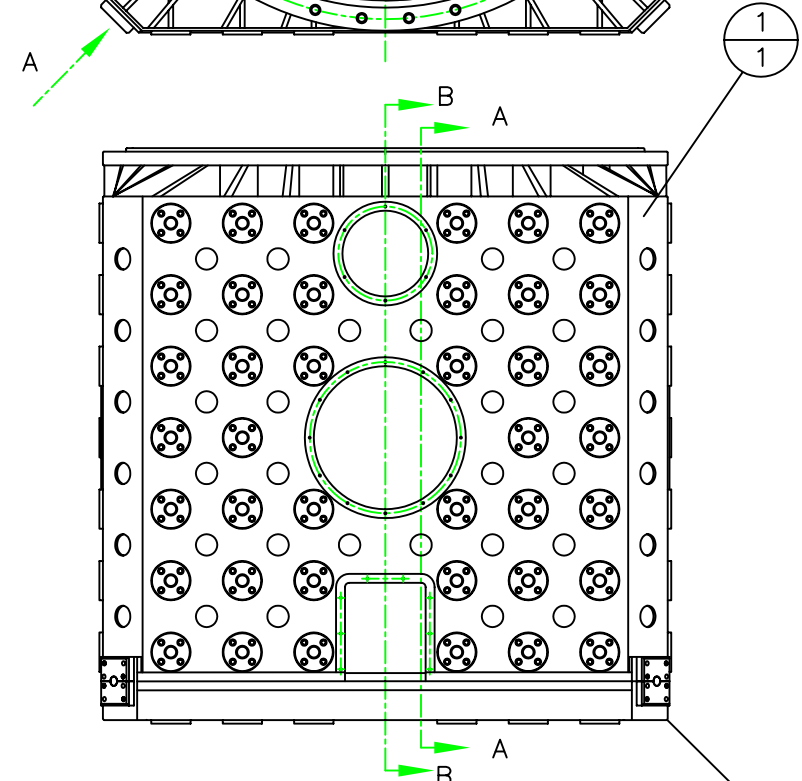
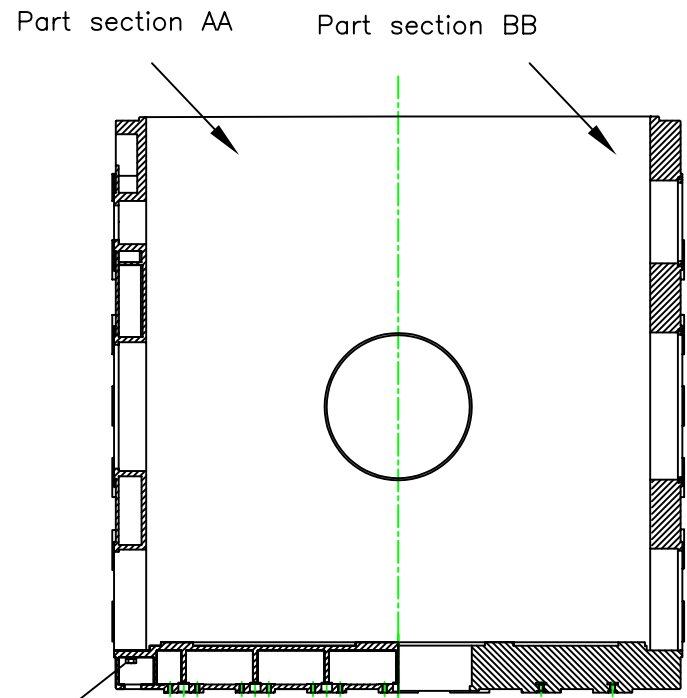
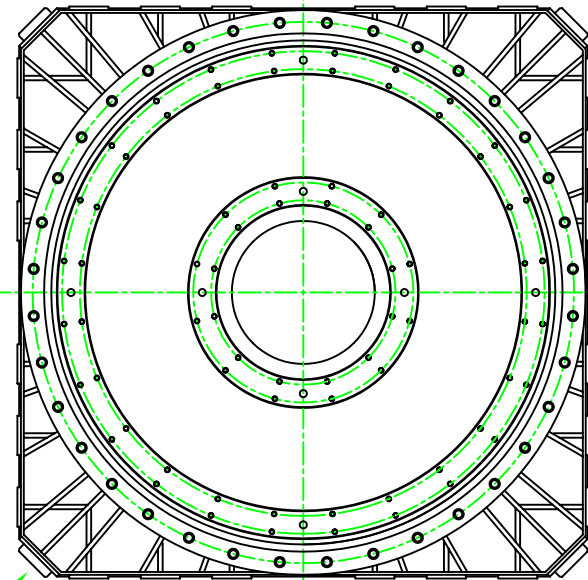


NOTES, UNLESS OTHERWISE SPECIFIED:

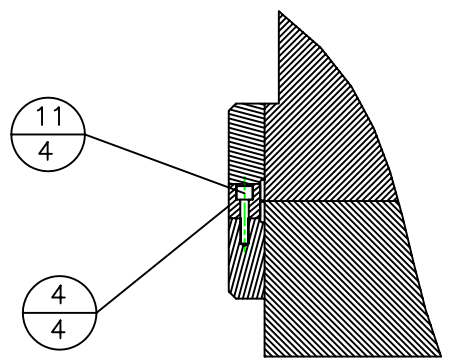


REV	DESCRIPTION	DATE	APPROVED
D	Revised dim.was:1206.0 is: 1215.0	4/25/97	

Item	Item name	Drawing/Part
1	Instrument support structure	89-GP-1000-3002
2	Instrument support structure base	89-GP-1000-3003
3	Base locator block	89-GP-1000-3004
4	Base locating dowel	89-GP-1000-3005
5	AO port cover	89-GP-1000-3006
6	Science port cover	89-GP-1000-3007
7	A&G services port cover	89-GP-1000-3008
8	Instrument support structure base fasteners	M12 x 50
9	Base locator block cap screws	M6 x 25
10	Base locator block dowels	ø12 x 40
11	Base locator dowel cap screw	M6 x 25
12	Port cover c/sk screw	M6 x 12



Part section on CC 4x size



QTY	ITEM NO.	PART OR IDENTIFYING NUMBER	NOMENCLATURE OR DESCRIPTION	PROCUREMENT SPECIFICATION	NOTES

UNLESS OTHERWISE SPECIFIED		PARTS LIST	
DIMENSIONS ARE IN MILLIMETERS		DRW	DATE
GENERAL TOLERANCES:		CHK	AUG 96
FRACTIONAL INFORMATION IS FOR REFERENCE ONLY		ENG	
REMOVE ALL BURRS AND BREAK SHARP EDGES 0.5 MM		APPD	
RADIUS ADJACENT MACHINED CORNER DA 0.25 FM		QA	
INSPECTION OF SCREW THREADS IS IN ACCORDANCE WITH FED-STD-883, METHOD 2.1		CONTRACT	
HOLE TOLERANCES:		RELEASE	
ø3	+0.10	SIZE	E
ø4	+0.13	DWG NO.	89-GP-1000-3001
ø5	+0.15	SCALE	NTS
ø6	+0.18	SHEET	1 OF 2
ø8	+0.20		
ø10	+0.25		
ø12	+0.30		
ø15	+0.38		
ø20	+0.50		
ø25	+0.63		
ø30	+0.75		
ø40	+1.00		
ø50	+1.25		
ø63	+1.60		
ø80	+2.00		
ø100	+2.50		
ø125	+3.15		
ø160	+4.00		
ø200	+5.00		
ø250	+6.30		
ø315	+8.00		
ø400	+10.00		
ø500	+12.50		
ø630	+16.00		
ø800	+20.00		
ø1000	+25.00		

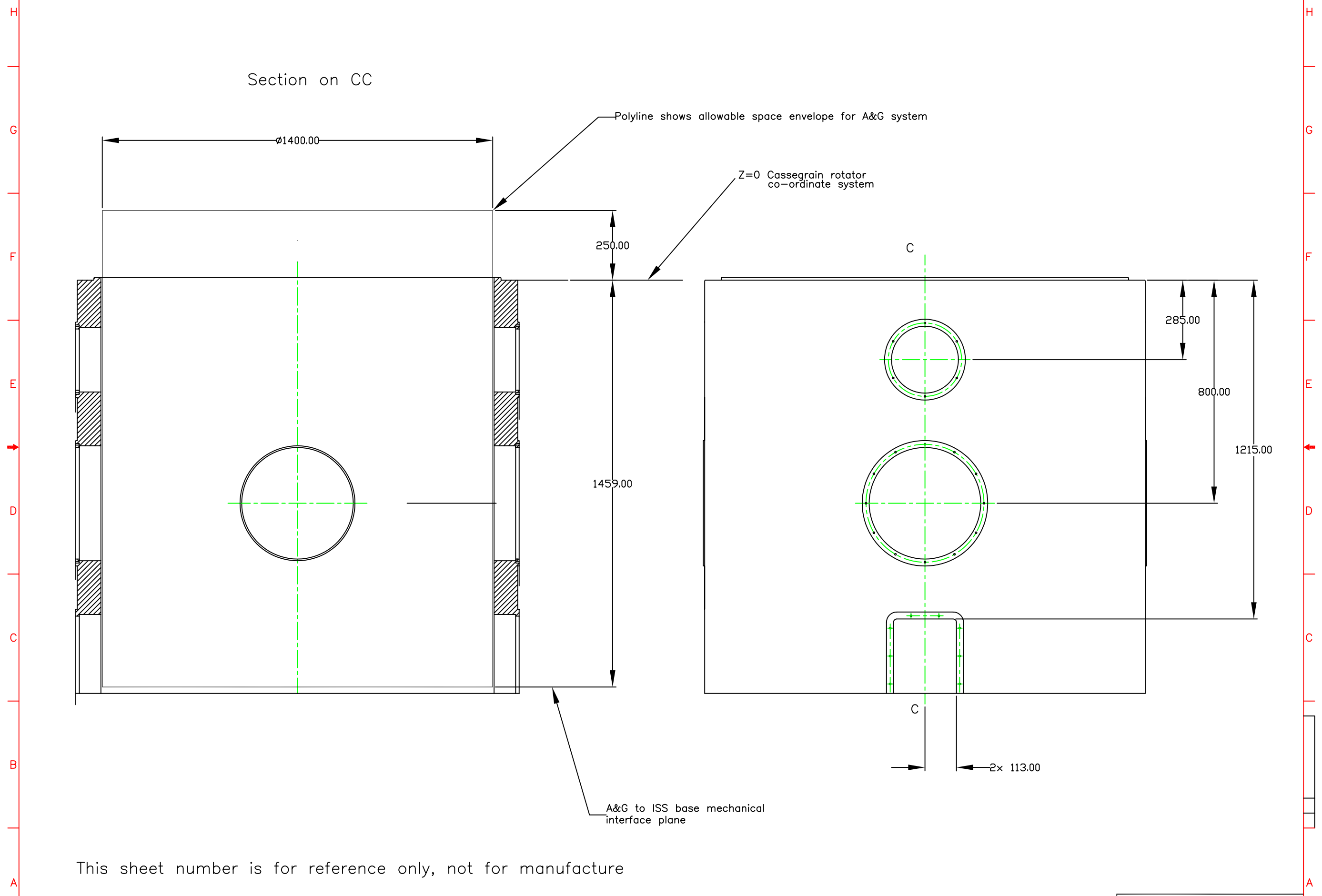
GEMINI 8-M Telescopes Project

Instrumentation Support Structure Assembly

DWG NO. 89-GP-1000-3001

SHEET 1 OF 2

8 7 6 5 4 3 2 1



Section on CC

Polyline shows allowable space envelope for A&G system

Z=0 Cassegrain rotator co-ordinate system

Ø1400.00

250.00

C

285.00

800.00

1215.00

1459.00

C

2x 113.00

A&G to ISS base mechanical interface plane

This sheet number is for reference only, not for manufacture

INSTRUMENT SUPPORT STRUCTURE ASSEMBLY										
GEMINI	D. MONTGOMERY	10.7.98	E		89-GP-1000-3001	D				
				1/1			2	2		

8 7 6 5 4 3 2 1